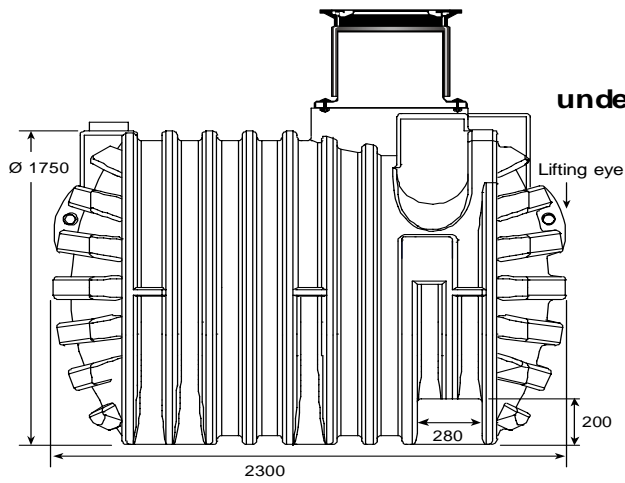
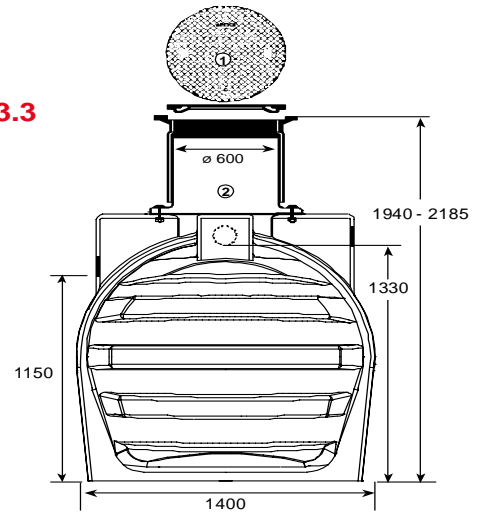


- 1 = Load-bearing safety cover
- 2 = Telescopic dome
- 3 = Adapter

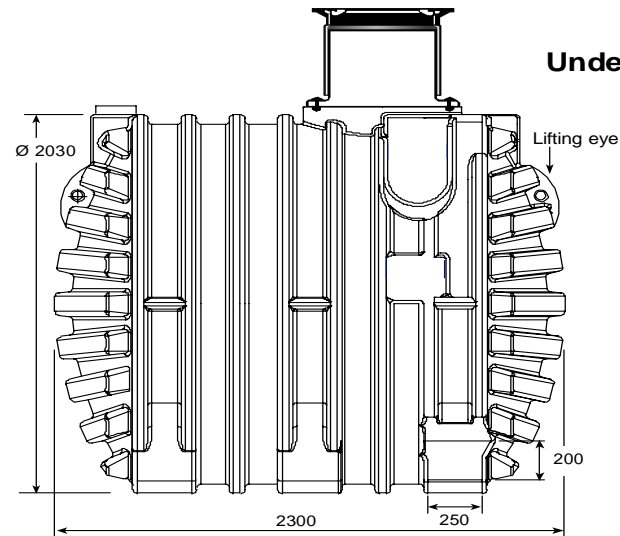
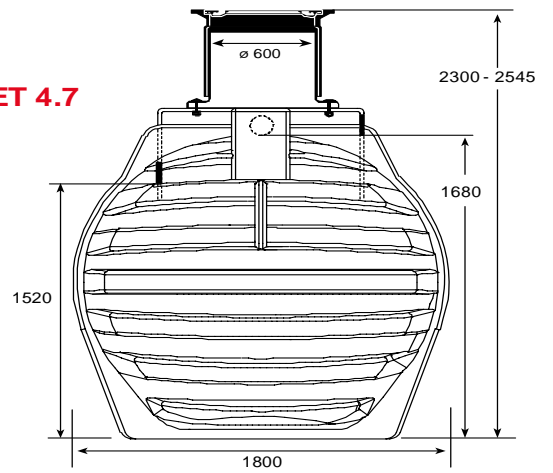
**Underground tank GET 3.3**

Weight: 150 kg  
 Volume: 3.300 litre



**underground tank GET 4.7**

Weight: 200 kg  
 Volume: 4.700 litre



**Underground tank GET 6.5**

Weight: 270 kg  
 Volume: 6.500 litres

